

RIGHT

Submersible electric pumps for waste water in AISI 304

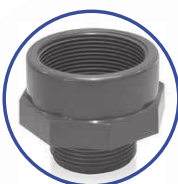
Submersible electric pump for waste water in AISI 304 stainless steel. Pump body, impeller, motor cover, seal holder disc and motor case in AISI 304. Shaft in AISI 303 (part in contact with the liquid). Present the double mechanical seal with oil chamber: the upper one in Carbon/Ceramic/NBR (motor side) and the lower one in SiC/SiC/NBR (pump side).

Special Versions

- MA Version with float
- Version with 10 m of cable



Possibility of use in fixed and mobile installations



Accessories

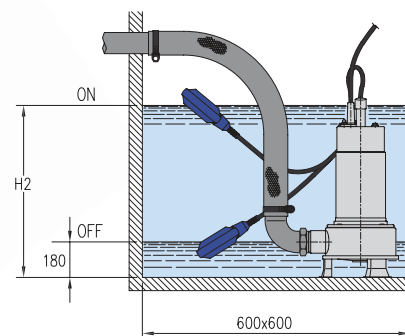
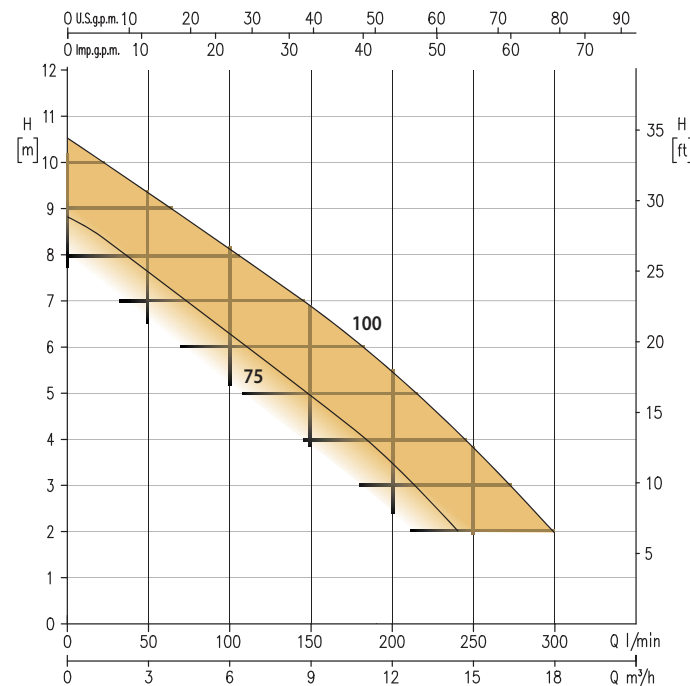
Adapter for use of the DW descent kit with RIGHT pumps

- Total head from 2 to 9.5 m
- Capacity from 2.4 to 18 m³/h
- Maximum immersion 7 m
- Maximum liquid temperature 50°C
- Maximum solid size passage 35 mm
- Provided with 5 m of power cable type H07 RN - F (on request 10 m of power cable)



Performance curve

50Hz



INSTALLATION

The RIGHT electric pumps are also available with a float switch, thus increasing the versatility of use. The choice of the use of the float switch requires the respecting of minimum installation spaces to guarantee correct operation of the pump itself.